

CII – iPATE 1.0 (2020)

Computer Based PAN India Examination

Category: GRADUATE ENGINEER (ENTRY LEVEL)

Engineering Discipline: ARCHITECTURE & PLANNING

Questions & Answers

(Reviewed, Revised & Published dtd. 20.01.2021)

Paper Structure

Question Nos.	Sections & Topics		Marks
1 to 20	Section I : Cognitive Abilities	<ul style="list-style-type: none">Quantitative AptitudeAnalytical ReasoningData InterpretationEnglish Communication	20
21 to 40	Section II : Professional Abilities	<ul style="list-style-type: none">Project ManagementHealth, Safety & Risk ManagementEnvironmental LawsSocial Responsibility & EthicsFinance & AccountsLegal, Contracts & Arbitration	20
41 to 50	Section III (A) : Technical Abilities	Physics & Chemistry (10+2 level)	10
51 to 100	Section III (B) : Technical Abilities	Engineering Discipline	50
TOTAL			100

NOTE:

- Exam Duration: 3 Hours
- Total 100 no. of Questions of 1 Mark each with Negative Marking of ½ Mark for every wrong answer
- Questions (Section wise) and respective Answer Options shuffled at Candidates' terminal

Question No. 1	X, Y and Z are three participants in a kilometer race. If X can give Y a start of 40m and X can give Z a start of 64m, how many metres start can Y give Z?			
Answer Options	A)	B)	C)	D)
	20 mtr	15 mtr	25 mtr	10 mtr
Right Answer	C			

Question No. 2	Two places A and B are 125km apart. Ram started from A to B and Raj from B to A at the same time. They met at a point 75km from A. Find the ratio of speeds of Ram & Raj.			
Answer Options	A)	B)	C)	D)
	3:2	2:3	1:3	3:4
Right Answer	A			

Question No. 3	The length of a circular track is 800 m. Virat and Amresh started from the same point on the track and ran in opposite directions. Virat took 12 minutes to cover one kilometer while Amresh took only 9 minutes to cover the same distance. They kept running for 90 minutes. How many times did they cross each other?			
Answer Options	A)	B)	C)	D)
	10	20	21	30
Right Answer	C			

Question No. 4	The marks scored by Prasoon Joshi in three subjects are in the ratio 4 : 5 : 6. Prasoon Joshi scored an overall aggregate of 60% in the exam. If the maximum marks in each subject are the same, in how many subjects did Prasoon Joshi score more than 70% marks?			
Answer Options	A)	B)	C)	D)
	One	Two	Three	Zero
Right Answer	A			

Question No. 5	Meena scores 40% in an examination and after review, even though her score is increased by 50%, she fails by 35 marks. If her post-review score is increased by 20%, she will have 7 marks more than the passing score. The percentage score needed for passing the examination is			
Answer Options	A)	B)	C)	D)
	75	80	60	70
Right Answer	D			

Question No. 6	Fill up the following series: 100, 50, 52, 26, 28, _____			
Answer Options	A)	B)	C)	D)
	30	32	14	16
Right Answer	C			

Question No. 7	<p>The question is followed by three statements I, II, and III. Read the question and the statements carefully and choose your answer according to which set of the statement(s) is/are sufficient to answer the question.</p> <p>What is the present age of Rakesh?</p> <p>I. The ratio of the ages of Ramesh and Rakesh, three years ago, was 4 : 5.</p> <p>II. The ratio of the ages of Rajesh and Rakesh, after two years, will be 4 : 5.</p> <p>III. Two years ago the ratio of the ages of Rajesh and Ramesh was 12 : 13.</p>			
Answer Options	A)	B)	C)	D)
	I and II only	II and III only	I and III only	All I, II and III
Right Answer	D			

Question No. 8	<p>The question below consists of a question and three statements numbered I, II and III given below it. You have to decide whether the data provided in the statements are sufficient to answer the question. Read all the statements and give answer:</p> <p>In a kilometre race, by how many meters Chandu beats Chand?</p> <p>Statement I : In a kilometer race, Chandu beats Chandan by 100 meters.</p> <p>Statement II : The respective ratio of the speed of Chandan and Chand is 4 : 3.</p> <p>Statement III : In a kilometer race, Chandan beats Chand by 150 meters.</p>			
Answer Options	A)	B)	C)	D)
	Either statement III alone or statements I and II together are sufficient	Only statement III is sufficient	Only statement I and II are sufficient	Only statement I, II, and III are sufficient
Right Answer	C			

Question No. 9	<p>In the following question, there is a certain relationship between two given words on one side of :: and one word is given on another side of :: while another word is to be found from the given alternatives having the same relationship with this word as the words of the given pair bear. Choose the correct alternative.</p> <p>particular : fussy :: _____ : subservient</p>			
Answer Options	A)	B)	C)	D)
	meek	above	cranky	uptight
Right Answer	A			

Question No. 10	<p>Pinky, who is Victor's daughter, say to Lucy, "Your Mother Rosy is the younger sister of my Father, who is the third child of Joseph." How is Joseph related to Lucy?</p>			
Answer Options	A)	B)	C)	D)
	Father - In - Law	Father	Maternal Uncle	Grand Father
Right Answer	D			

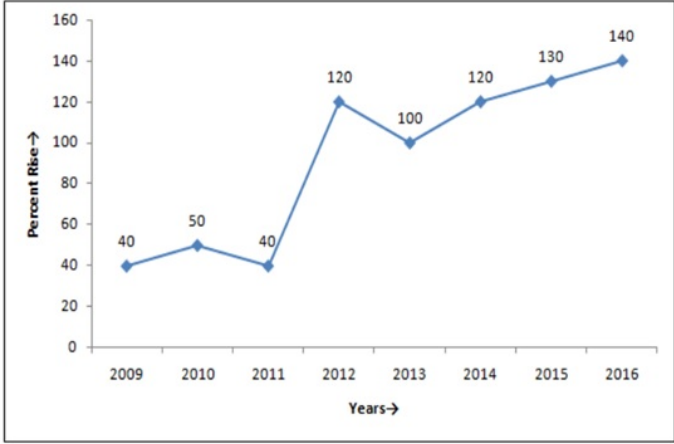
Question No. 11	Attracted by the serenity of the evening, a friend and I lately went to one of the public walks near the city. Here we (1) _____ together for some time. Then my friend, stopping suddenly, (2) _____ by the elbow, and led me out of the public walk. I could perceive by the quickness of this (3)_____, and by his frequently looking behind, that he was attempting to avoid somebody who followed.			
Answer Options	A)	B)	C)	D)
	(1)sauntered, (2)trapped, (3)pace	(1)vamoosed, (2)relinquished, (3)hands	(1)dance, (2)caught, (3) gallop	(1)sauntered, (2)caught, (3)gallop
Right Answer	D			

Question No. 12	It was not surprising that my own countrymen should treat me so, for I had gained a (1) _____ of notoriety and popularity among them. Even for Englishmen I was individual and not merely one of the (2)_____ and, I imagine the fact that I had received my education in England, brought me (3)_____			
Answer Options	A)	B)	C)	D)
	(1) weight (2) collection (3) in juxtaposition with them	(1) ration (2) mass (3) nearer to them	(1) measure (2) dispersal (3) at a remote position	(1) measure (2) mass (3) nearer to them
Right Answer	D			

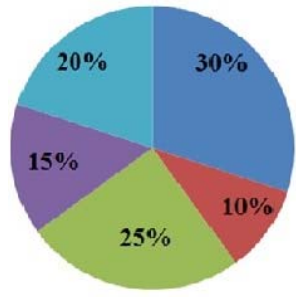
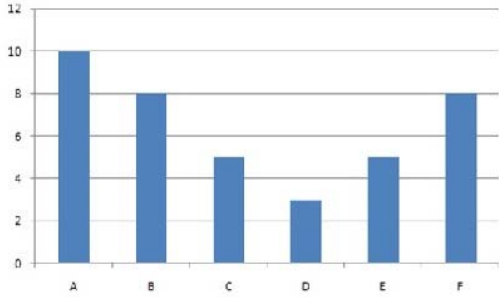
Question No. 13	Given below are four jumbled sentences. Out of the given options pick the one that gives their correct order. A: A man on a bike had to ride on the pavement. B: When he tried to plunge onto the road, a car hit him. C: As the bus inched through the evening life, the traffic grew. D: There was no space on the road any more.			
Answer Options	A)	B)	C)	D)
	CBAD	DBCA	ADBC	CDAB
Right Answer	D			

Question No. 14	Select the Antonym of OFFHAND			
Answer Options	A)	B)	C)	D)
	accurate	universal	appropriate	premeditated
Right Answer	D			

Question No. 15	What is the synonym of SEIZE			
Answer Options	A)	B)	C)	D)
	Start	Release	Length	Grasp
Right Answer	D			

<p>Question No. 16</p>	<p>The Line graph given below shows the percent rise in population from 2009 to 2016.</p> <p>For how many years the percent rise was more than 100%</p> 			
<p>Answer Options</p>	<p>A) 4</p>	<p>B) 3</p>	<p>C) 2</p>	<p>D) 5</p>
<p>Right Answer</p>	<p>A</p>			

<p>Question No. 17</p>	<p>The following table gives the percentage of marks obtained by seven students in in six different subjects in an examination. What are the average marks obtained by all the seven students in Physics? (rounded off to two digit after decimal)</p> <p style="text-align: center;">The Numbers in the Brackets give the Maximum Marks in Each Subject.</p> <table border="1" data-bbox="370 1165 1205 1501"> <thead> <tr> <th rowspan="3">Student</th> <th colspan="6">Subject (Max. Marks)</th> </tr> <tr> <th>Maths</th> <th>Chemistry</th> <th>Physics</th> <th>Geography</th> <th>History</th> <th>Computer Science</th> </tr> <tr> <th>(150)</th> <th>(130)</th> <th>(120)</th> <th>(100)</th> <th>(60)</th> <th>(40)</th> </tr> </thead> <tbody> <tr> <td>Ayush</td> <td>90</td> <td>50</td> <td>90</td> <td>60</td> <td>70</td> <td>80</td> </tr> <tr> <td>Aman</td> <td>100</td> <td>80</td> <td>80</td> <td>40</td> <td>80</td> <td>70</td> </tr> <tr> <td>Sajal</td> <td>90</td> <td>60</td> <td>70</td> <td>70</td> <td>90</td> <td>70</td> </tr> <tr> <td>Rohit</td> <td>80</td> <td>65</td> <td>80</td> <td>80</td> <td>60</td> <td>60</td> </tr> <tr> <td>Muskan</td> <td>80</td> <td>65</td> <td>85</td> <td>95</td> <td>50</td> <td>90</td> </tr> <tr> <td>Tanvi</td> <td>70</td> <td>75</td> <td>65</td> <td>85</td> <td>40</td> <td>60</td> </tr> <tr> <td>Tarun</td> <td>65</td> <td>35</td> <td>50</td> <td>77</td> <td>80</td> <td>80</td> </tr> </tbody> </table>				Student	Subject (Max. Marks)						Maths	Chemistry	Physics	Geography	History	Computer Science	(150)	(130)	(120)	(100)	(60)	(40)	Ayush	90	50	90	60	70	80	Aman	100	80	80	40	80	70	Sajal	90	60	70	70	90	70	Rohit	80	65	80	80	60	60	Muskan	80	65	85	95	50	90	Tanvi	70	75	65	85	40	60	Tarun	65	35	50	77	80	80
Student	Subject (Max. Marks)																																																																							
	Maths	Chemistry	Physics	Geography		History	Computer Science																																																																	
	(150)	(130)	(120)	(100)	(60)	(40)																																																																		
Ayush	90	50	90	60	70	80																																																																		
Aman	100	80	80	40	80	70																																																																		
Sajal	90	60	70	70	90	70																																																																		
Rohit	80	65	80	80	60	60																																																																		
Muskan	80	65	85	95	50	90																																																																		
Tanvi	70	75	65	85	40	60																																																																		
Tarun	65	35	50	77	80	80																																																																		
<p>Answer Options</p>	<p>A) 58</p>	<p>B) 89.14</p>	<p>C) 74</p>	<p>D) 80</p>																																																																				
<p>Right Answer</p>	<p>B</p>																																																																							

<p>Question No. 18</p>	<p>The pie-chart shows sources of income for an NGO. The total income is Rs.40 crore. The bar chart gives the expenditure incurred on various items A – Food for poor, B – Education to illiterate, C – Mid-day deal programme, D – General Expenses, E – Eye Camp expenses, F – Integrated Street Children Programme.(in Crores)</p> <div style="display: flex; justify-content: space-around; align-items: center;">   </div> <p>What Percentage of money is saved by the NGO?</p>			
<p>Answer Options</p>	A) 0.035	B) 0.045	C) 0.025	D) 0.038
<p>Right Answer</p>	C			

<p>Question No. 19</p>	<p>Read the following information carefully and answer the following question.</p> <p>i) 'A \$ B' means 'A is mother of B'; ii) 'A # B' means 'A is father of B'; iii) 'A @ B' means 'A is husband of B'; iv) 'A % B' means 'A is daughter of B'.</p> <p>P @ Q \$ M # T indicates what relationship of P with T?</p>			
<p>Answer Options</p>	A) Paternal grandmother	B) Maternal grandmother	C) Paternal grandfather	D) Maternal grandfather
<p>Right Answer</p>	C			

<p>Question No. 20</p>	<p>A monkey starts climbing up a tree 20ft. tall. Each hour, it hops 3ft. and slips back 2ft. How much time would it take the monkey to reach the top?</p>			
<p>Answer Options</p>	A) 21 hours	B) 12 hours	C) 18 hours	D) 15 hours
<p>Right Answer</p>	C			

<p>Question No. 21</p>	<p>Gantt Chart is commonly used for _____</p>			
<p>Answer Options</p>	A) Routing	B) Scheduling	C) Follow up	D) Inspection and quality control
<p>Right Answer</p>	B			

Question No. 22	Consider the following features/factors: (i) Projects are of non-repetitive type, (ii) Time required need not be known, (iii) Events have been established for planning, (iv) Emphasis is given to activities of project. PERT is preferred for planning because of.....			
Answer Options	A)	B)	C)	D)
	(i), (ii) and (iv)	(ii), (iii) and (iv)	(i), (iii) and (iv)	(i), (ii) and (iii)
Right Answer	A			

Question No. 23	What is the Critical Path Method (CPM)			
Answer Options	A)	B)	C)	D)
	It is an improvement upon Bar Chart method	It provides a realistic approach to daily problems	It avoids delay which is common in Bar Chart	All the options
Right Answer	D			

Question No. 24	An activity has an early start(ES) of day 3, a late start(LS) of day 13, an early finish(EF) of day 9 and a late finish(LF) of day 19. The activity ____			
Answer Options	A)	B)	C)	D)
	Is on the Critical path	Has a Lag	Progressing well	Is not on the Critical path
Right Answer	D			

Question No. 25	The following extinguisher is suitable for cotton or other textile fire			
Answer Options	A)	B)	C)	D)
	Water	Soda acid	Foam	Dry chemicals
Right Answer	D			

Question No. 26	The following class of fire occur in electrical equipment			
Answer Options	A)	B)	C)	D)
	Class-A fires	Class-B fires	Class-C fires	All of the above
Right Answer	C			

Question No. 27	Which of the following is not a chemical-related health hazard?			
Answer Options	A)	B)	C)	D)
	Carcinogenicity	Reactivity	Corrosivity	Toxicity
Right Answer	B			

Question No. 28	You should wear eye, head, and face protection if you are working with which of the following tools?			
Answer Options	A)	B)	C)	D)
	Portable abrasive wheel tools	Electric tools	Pneumatic tools	Liquid fuel tools
Right Answer	C			

Question No. 29	BOD is measure of			
Answer Options	A)	B)	C)	D)
	The amount of oxygen consumed in the biological process	The utilization of organic substances by aerobic microorganisms	Respiratory needs of biological community	None of the above
Right Answer	A			

Question No. 30	Smoke + fog is called as			
Answer Options	A)	B)	C)	D)
	Soeg	smog	Both (A) and (B)	None of the above
Right Answer	B			

Question No. 31	A Company or organization can go to ISO 14000 certificate provided it has an ongoing environmental management system in operation for at least			
Answer Options	A)	B)	C)	D)
	3 months	6 months	1 year	5 years
Right Answer	B			

Question No. 32	Which statement is true?			
Answer Options	A)	B)	C)	D)
	Walton writes that business ethics is related with truth and justice	A businessman who follows unethical conduct in business should be socially boycotted by the people	Government in the country has enacted various laws, rule and regulations under the provisions of which the business is bound to act honestly	All of the above
Right Answer	D			

Question No. 33	Which is the basic principle of ethos for management?			
Answer Options	A)	B)	C)	D)
	Co-operation is powerful instrument for team work and success in any enterprise involving collective work	Holistic approach indicating unity between the Divine, Individual Self and the Universe	Immense potential energy and talents for perfection as human being has the spirit within his heart	All of the above
Right Answer	D			

Question No. 34	The concept of international social responsibility is the expectation that MNCs concern themselves about _____ effects of their decisions regarding activities in other countries.			
Answer Options	A)	B)	C)	D)
	philosophical	competitive	environmental	social and economic
Right Answer	D			

Question No. 35	Net working Capital refers to			
Answer Options	A)	B)	C)	D)
	Current assets less current liabilities	Total assets less total liabilities	Current assets less inventories	Total current assets
Right Answer	A			

Question No. 36	Non-cash items refer to			
Answer Options	A)	B)	C)	D)
	The credit sales of a firm	The accounts payable of a firm	Expenses charged against revenues that do not directly affect cash flow	All accounts on the balance sheet other than cash on hand
Right Answer	D			

Question No. 37	The factor, which is largely considered in making or buying decisions			
Answer Options	A)	B)	C)	D)
	Quality Suppliers	Dependability of Suppliers	Production irrelevancy	Both A & B
Right Answer	D			

Question No. 38	Which of the following model law was used by the Indian Arbitration & Conciliation Act,1996			
Answer Options	A)	B)	C)	D)
	Indian Constitution	Guideline of Supreme Court	European commercial Arbitration procedure	UNICITRAL
Right Answer	D			

Question No. 39	An arbitral award made under Arbitration & Conciliation Act,1996 shall be considered as a _____			
Answer Options	A)	B)	C)	D)
	General award	International award	Domestic award	Foreign award
Right Answer	C			

Question No. 40	Which level of management is responsible for implementing programs that are intended to carry out the broader objectives of an organization set by management			
Answer Options	A)	B)	C)	D)
	Supervisory managers	Middle managers	First level managers	Financial managers
Right Answer	B			

Question No. 41	The rate at which electrical energy is used may be measured in:			
Answer Options	A)	B)	C)	D)
	watt/second	watt second	watt	kilowatt-hour
Right Answer	C			

Question No. 42	Radio waves are readily diffracted around buildings whereas light waves are negligibly diffracted around buildings. This is because radio waves:			
Answer Options	A)	B)	C)	D)
	are plane polarized	have much longer wavelengths than light waves	have much shorter wavelengths than light waves	are nearly monochromatic (single frequency)
Right Answer	B			

Question No. 43	An ideal gas expands into a vacuum in a rigid vessel. As a result there is:			
Answer Options	A)	B)	C)	D)
	a change in entropy	a change in temperature	a change in phase	an increase of pressure
Right Answer	A			

Question No. 44	A heat engine:			
Answer Options	A)	B)	C)	D)
	converts heat input to an equivalent amount of work	converts work to an equivalent amount of heat	takes heat in, does work, and loses energy as heat	uses positive work done on the system to transfer heat from a low temperature reservoir to a high temperature reservoir
Right Answer	C			

Question No. 45	The coefficient of kinetic friction:			
Answer Options	A)	B)	C)	D)
	is in the direction of the frictional force	is in the direction of the normal force	is the ratio of force to area	None of the above
Right Answer	D			

Question No. 46	Which of the following is a crystalline solid?			
Answer Options	A)	B)	C)	D)
	Tar	Butter	Glass	Common salt
Right Answer	D			

Question No. 47	Which of the following are physical changes? (i) Melting of iron metal (ii) Rusting of iron (iii) Bending of an iron rod (iv) Drawing a wire of iron metal			
Answer Options	A)	B)	C)	D)
	(i), (ii) and (iii)	(i), (ii) and (iv)	(i), (iii) and (iv)	(ii), (iii) and (iv)
Right Answer	C			

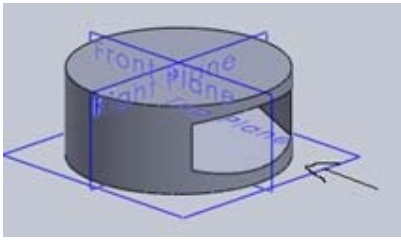
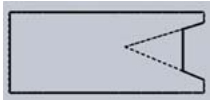
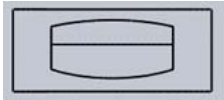
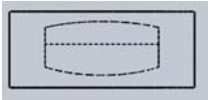
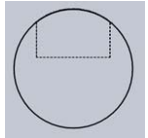
Question No. 48	The monomers of Buna-S rubber are			
Answer Options	A)	B)	C)	D)
	styrene and butadiene	isoprene and butadiene	vinyl chloride and sulphur	butadiene
Right Answer	A			

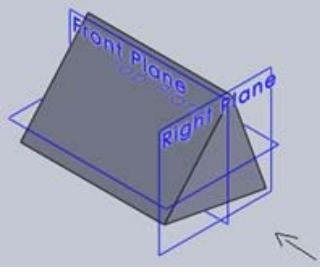
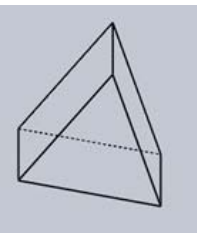
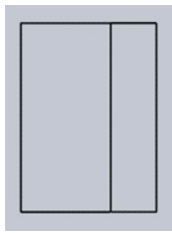
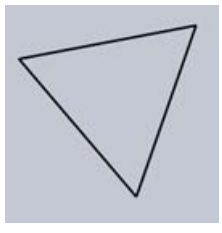
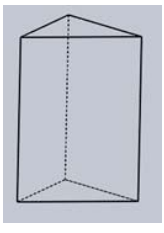
Question No. 49	Equal masses of ethane and hydrogen are mixed in any empty container at 25°C. The fraction of total pressure exerted by hydrogen is			
Answer Options	A)	B)	C)	D)
	1:2	1:1	1:16	15:16
Right Answer	D			

Question No. 50	n-propyl bromide on treating with alcoholic KOH produces			
Answer Options	A)	B)	C)	D)
	propyne	propene	propane	propanol
Right Answer	B			

Question No. 51	When a solid completely penetrates another solid, there will be two lines of intersection. These lines are called _____			
Answer Options	A)	B)	C)	D)
	line of interpenetration	concylic curves of lines	hidden lines	inside line
Right Answer	A			

Question No. 52	Drawing straight lines on both the surfaces of solids and then pointing the points where they intersect and drawing lines which forms the line of intersection this process of finding the line of intersection is termed as _____ method.			
Answer Options	A)	B)	C)	D)
	assumption	line	removing material	cutting- plane
Right Answer	B			

Question No. 53	Identify the back view for the below cylinder.			
				
Answer Options	A)	B)	C)	D)
				
Right Answer	C			

<p>Question No. 54</p>	<p>Identify the front view from the isometric view for the below-given prism.</p> 			
<p>Answer Options</p>	<p>A)</p> 	<p>B)</p> 	<p>C)</p> 	<p>D)</p> 
<p>Right Answer</p>	<p>C</p>			

<p>Question No. 55</p>	<p>The perspectives of concentric circles are not concentric _____</p>			
<p>Answer Options</p>	<p>A) circles</p>	<p>B) ellipses</p>	<p>C) spheres</p>	<p>D) ellipsoids</p>
<p>Right Answer</p>	<p>B</p>			

<p>Question No. 56</p>	<p>The ratio between illumination at a working point indoor to total light available simultaneously outdoor is known as</p>			
<p>Answer Options</p>	<p>A) Daylight Factor</p>	<p>B) Sky Component</p>	<p>C) Internally Reflected Component</p>	<p>D) Externally Reflected Component</p>
<p>Right Answer</p>	<p>A</p>			

<p>Question No. 57</p>	<p>The process of spraying Polyester, Polyurethane, Acrylic and Epoxy Plastic, followed by heat curing onto metals is called</p>			
<p>Answer Options</p>	<p>A) Anodizing</p>	<p>B) Galvanizing</p>	<p>C) Vitreous Enamelling</p>	<p>D) Powder Coating</p>
<p>Right Answer</p>	<p>D</p>			

Question No. 58	Which of the following is a part of a studio apartment?			
Answer Options	A)	B)	C)	D)
	Master bed room	Artist's room	Multipurpose space	Children's room
Right Answer	C			

Question No. 59	Identify the role of Vermiculate in vertical landscapes			
Answer Options	A)	B)	C)	D)
	Fertilizer	Holding material	Binding material	Water retention element
Right Answer	D			

Question No. 60	The ingredient to be added to produce Aerated Cement Concrete, is			
Answer Options	A)	B)	C)	D)
	Aluminium	Calcium chloride	Gypsum	Sulphur
Right Answer	A			

Question No. 61	The spherical surface of the geodesic dome comprises of			
Answer Options	A)	B)	C)	D)
	Equilateral triangles of various sizes	Isosceles triangles of various sizes	Equilateral triangles of uniform size	Isosceles triangles of uniform size
Right Answer	C			

Question No. 62	Typical features of Buddhist architecture are			
Answer Options	A)	B)	C)	D)
	Mandapa, Chattri, Amalaka, Torana	Stambha, Toana, Vimana, Harmika	Vedika, Chattri, Torana, Harmika	Vedika, Stupa, Chaitya, Vimana
Right Answer	C			

Question No. 63	An element constructed at intervals along the length of a wall to stabilize it against overturning is			
Answer Options	A)	B)	C)	D)
	Barrel Vault	Pilaster	Squinch Arch	Buttress
Right Answer	D			

Question No. 64	The solar protection system consisting of fixed slates or grids, outside a building façade in front of openings, is known as			
Answer Options	A)	B)	C)	D)
	Sun breaker	Solarium	Malqaf	Trombe wall
Right Answer	A			

Question No. 65	In escalators, the angle of inclination with the horizontal plane should be in the range of			
Answer Options	A)	B)	C)	D)
	10°-20°	20°-30°	30°-35°	35°-45°
Right Answer	C			

Question No. 66	Development authorities in India are established under the provision of			
Answer Options	A)	B)	C)	D)
	Municipal Act	74th Constitutional Amendment Act	Town and Country Planning Act	Land Acquisition Act
Right Answer	C			

Question No. 67	Invert level of a pipe at a given cross section refers to the			
Answer Options	A)	B)	C)	D)
	highest point of the internal surface	lowest point of the internal surface	highest point of the external surface	lowest point of the external surface
Right Answer	B			

Question No. 68	In a single-stack system of plumbing			
Answer Options	A)	B)	C)	D)
	All the appliances and traps are fully ventilated	Only WC branches are connected with anti-siphonage pipes	Anti-siphonage pipes are omitted	Only the stack is vented above the branch connection at each floor level
Right Answer	C			

Question No. 69	Among the following, the one that is NOT a land assembly technique is			
Answer Options	A)	B)	C)	D)
	Land Use Zoning	Accommodation Reservation	Town Planning Scheme	Transfer of Development Right
Right Answer	A			

Question No. 70	The structural floor joined to the joists that support the finish flooring			
Answer Options	A)	B)	C)	D)
	Subfloor	Construction Type	Contrast	Building Envelope
Right Answer	A			

Question No. 71	A horizontal structural member located on top of the studs used to hold the wall together			
Answer Options	A)	B)	C)	D)
	Top Plate	Air Handling Unit (AHU)	Footing	Emphasis
Right Answer	A			

Question No. 72	A plot of the internal moment in a beam versus position along the axis of the beam			
Answer Options	A)	B)	C)	D)
	Spread Footing	Architect	Moment Diagram	Water Meter
Right Answer	C			

Question No. 73	A measure of the probable discharge into the drainage system by various types of plumbing fixtures			
Answer Options	A)	B)	C)	D)
	Drain	Column	Elevated Floor	Drainage Fixture Unit
Right Answer	D			

Question No. 74	A beam supporting the weight above a door or window opening			
Answer Options	A)	B)	C)	D)
	Property Survey	Static Head	Truss	Lintel
Right Answer	D			

Question No. 75	A fitting with a removable plug that is placed in plumbing drainage pipe lines to allow access for cleaning out the pipe			
Answer Options	A)	B)	C)	D)
	Egress	Curtain Wall	Thermal Convection	Cleanout
Right Answer	D			

Question No. 76	Any of the wedge-shaped units in a masonry arch or vault - having side cuts converging at one of the arch centers			
Answer Options	A)	B)	C)	D)
	Siding	Slab-on-Grade	Voussoir	Charette
Right Answer	C			

Question No. 77	Any surface to which elevations are referred (for example - mean sea level)			
Answer Options	A)	B)	C)	D)
	Foresight	Main	Fine Grained Soil	Datum
Right Answer	D			

Question No. 78	A sewer that conveys storm water or other drainage but not sanitary sewage			
Answer Options	A)	B)	C)	D)
	Storm Sewer	No potable Water	Grade Beam	Low Impact Development
Right Answer	A			

Question No. 79	The rules that describe how designers might put together various design elements to create an aesthetic finished product			
Answer Options	A)	B)	C)	D)
	Sill	Grade Beam	Masonry	Design Principles
Right Answer	D			

Question No. 80	An electric safety switch that automatically opens a circuit when excessive amperage occurs.			
Answer Options	A)	B)	C)	D)
	Circuit Breaker	Construction Survey	Plasticity Limit	EPDM
Right Answer	A			

Question No. 81	A fitting or device that provides a liquid seal to prevent the emission of sewer gases without materially affecting the flow of sewage or wastewater through the trap			
Answer Options	A)	B)	C)	D)
	R-value	Trap	Pile	Pattern
Right Answer	B			

Question No. 82	The moving of soil to affect the elevation of land at a construction site`			
Answer Options	A)	B)	C)	D)
	Cleanout	Grading	Storm Sewer	Plane Survey
Right Answer	B			

Question No. 83	A long slender piece of material driven or drilled into the ground to act as an element of a foundation			
Answer Options	A)	B)	C)	D)
	Heat Pump	Fascia	Pile	Egress
Right Answer	C			

Question No. 84	A horizontal structural member used to support other structural members over openings such as doors and windows			
Answer Options	A)	B)	C)	D)
	Strain	Rainfall Intensity	Ground	Header
Right Answer	D			

Question No. 85	An assembly of structural members joined to form a rigid framework - usually connected to form triangles			
Answer Options	A)	B)	C)	D)
	Fenestration	Truss	Built-up-Roof	Tilt-up Construction
Right Answer	B			

Question No. 86	An arrangement of several arches whose bases form a circle and whose tops meet in the center			
Answer Options	A)	B)	C)	D)
	element of design	dome	space	contrast
Right Answer	B			

Question No. 87	movement characterized by a patterned repetition or alteration of formal elements or motifs in the same or a modified form			
Answer Options	A)	B)	C)	D)
	emphasis	rhythm	facade	element of design
Right Answer	B			

Question No. 88	A curved structure used as a support over an open space - designed to support a vertical load primarily by axial compression			
Answer Options	A)	B)	C)	D)
	arch	post and lintel construction	unity	space
Right Answer	A			

Question No. 89	A wedge-shaped stone placed in the crown of an arch			
Answer Options	A)	B)	C)	D)
	line	bearing walls	keystone	movement
Right Answer	C			

Question No. 90	The pleasing or harmonious arrangement or proportion of parts or elements in a design or composition			
Answer Options	A)	B)	C)	D)
	architect	texture	balance	facade
Right Answer	C			

Question No. 91	The relative lightness or darkness of a color			
Answer Options	A)	B)	C)	D)
	design principles	unity	value	movement
Right Answer	C			

Question No. 92	Wedge-shaped units in a masonry arch or vault - having side cuts converging at one of the arch centers			
Answer Options	A)	B)	C)	D)
	vousoir	bearing walls	arch	element of design
Right Answer	A			

Question No. 93	Culturally and climatically relevant architecture using locally available materials and traditional building techniques			
Answer Options	A)	B)	C)	D)
	lintel	vernacular architecture	contrast	architect
Right Answer	B			

Question No. 94	Walls that provide support for each other and for the roof of the structure			
Answer Options	A)	B)	C)	D)
	bearing walls	facade	civil engineer	vernacular architecture
Right Answer	A			

Question No. 95	A microscopic layer of metal applied to glass surfaces to reflect heat energy			
Answer Options	A)	B)	C)	D)
	passive solar design	are-21	low E	argon and krypton gas
Right Answer	C			

Question No. 96	Use of site consideration - house orientation - and room placement to improve energy efficiency			
Answer Options	A)	B)	C)	D)
	insulation	vapour barrier	3-4 ACH	passive solar design
Right Answer	D			

Question No. 97	Opposing force sliding past each other			
Answer Options	A)	B)	C)	D)
	Span	Shape	Area of Load	Shear
Right Answer	D			

Question No. 98	A force that pushes together			
Answer Options	A)	B)	C)	D)
	Compression	Area of Load	The 5 beam shapes	Dynamic Load
Right Answer	A			

Question No. 99	Forces that don't change			
Answer Options	A)	B)	C)	D)
	Weight	Torsion	Shear	Static Load
Right Answer	D			

Question No. 100	A force that pulls apart			
Answer Options	A)	B)	C)	D)
	Compression	Tension	Span	Materials
Right Answer	B			