

CII – iPATE 1.0 (2020)

Computer Based PAN India Examination

Category: GRADUATE ENGINEER (ENTRY LEVEL)

Engineering Discipline: FOOD TECHNOLOGY

Questions & Answers

(Reviewed, Revised & Published dtd. 20.01.2021)

Paper Structure

Question Nos.	Sections & Topics		Marks
1 to 20	Section I : Cognitive Abilities	<ul style="list-style-type: none">Quantitative AptitudeAnalytical ReasoningData InterpretationEnglish Communication	20
21 to 40	Section II : Professional Abilities	<ul style="list-style-type: none">Project ManagementHealth, Safety & Risk ManagementEnvironmental LawsSocial Responsibility & EthicsFinance & AccountsLegal, Contracts & Arbitration	20
41 to 50	Section III (A) : Technical Abilities	Physics & Chemistry (10+2 level)	10
51 to 100	Section III (B) : Technical Abilities	Engineering Discipline	50
TOTAL			100

NOTE:

- Exam Duration: 3 Hours
- Total 100 no. of Questions of 1 Mark each with Negative Marking of ½ Mark for every wrong answer
- Questions (Section wise) and respective Answer Options shuffled at Candidates' terminal

Question No. 1	X, Y and Z are three participants in a kilometer race. If X can give Y a start of 40m and X can give Z a start of 64m, how many metres start can Y give Z?			
Answer Options	A)	B)	C)	D)
	20 mtr	15 mtr	25 mtr	10 mtr
Right Answer	C			

Question No. 2	Two places A and B are 125km apart. Ram started from A to B and Raj from B to A at the same time. They met at a point 75km from A. Find the ratio of speeds of Ram & Raj.			
Answer Options	A)	B)	C)	D)
	3:2	2:3	1:3	3:4
Right Answer	A			

Question No. 3	The length of a circular track is 800 m. Virat and Amresh started from the same point on the track and ran in opposite directions. Virat took 12 minutes to cover one kilometer while Amresh took only 9 minutes to cover the same distance. They kept running for 90 minutes. How many times did they cross each other?			
Answer Options	A)	B)	C)	D)
	10	20	21	30
Right Answer	C			

Question No. 4	The marks scored by Prasoon Joshi in three subjects are in the ratio 4 : 5 : 6. Prasoon Joshi scored an overall aggregate of 60% in the exam. If the maximum marks in each subject are the same, in how many subjects did Prasoon Joshi score more than 70% marks?			
Answer Options	A)	B)	C)	D)
	One	Two	Three	Zero
Right Answer	A			

Question No. 5	Meena scores 40% in an examination and after review, even though her score is increased by 50%, she fails by 35 marks. If her post-review score is increased by 20%, she will have 7 marks more than the passing score. The percentage score needed for passing the examination is			
Answer Options	A)	B)	C)	D)
	75	80	60	70
Right Answer	D			

Question No. 6	Fill up the following series: 100, 50, 52, 26, 28, _____			
Answer Options	A)	B)	C)	D)
	30	32	14	16
Right Answer	C			

Question No. 7	<p>The question is followed by three statements I, II, and III. Read the question and the statements carefully and choose your answer according to which set of the statement(s) is/are sufficient to answer the question.</p> <p>What is the present age of Rakesh?</p> <p>I. The ratio of the ages of Ramesh and Rakesh, three years ago, was 4 : 5.</p> <p>II. The ratio of the ages of Rajesh and Rakesh, after two years, will be 4 : 5.</p> <p>III. Two years ago the ratio of the ages of Rajesh and Ramesh was 12 : 13.</p>			
Answer Options	A)	B)	C)	D)
	I and II only	II and III only	I and III only	All I, II and III
Right Answer	D			

Question No. 8	<p>The question below consists of a question and three statements numbered I, II and III given below it. You have to decide whether the data provided in the statements are sufficient to answer the question. Read all the statements and give answer:</p> <p>In a kilometre race, by how many meters Chandu beats Chand?</p> <p>Statement I : In a kilometer race, Chandu beats Chandan by 100 meters.</p> <p>Statement II : The respective ratio of the speed of Chandan and Chand is 4 : 3.</p> <p>Statement III : In a kilometer race, Chandan beats Chand by 150 meters.</p>			
Answer Options	A)	B)	C)	D)
	Either statement III alone or statements I and II together are sufficient	Only statement III is sufficient	Only statement I and II are sufficient	Only statement I, II, and III are sufficient
Right Answer	C			

Question No. 9	<p>In the following question, there is a certain relationship between two given words on one side of :: and one word is given on another side of :: while another word is to be found from the given alternatives having the same relationship with this word as the words of the given pair bear. Choose the correct alternative.</p> <p>particular : fussy :: _____ : subservient</p>			
Answer Options	A)	B)	C)	D)
	meek	above	cranky	uptight
Right Answer	A			

Question No. 10	<p>Pinky, who is Victor's daughter, say to Lucy, "Your Mother Rosy is the younger sister of my Father, who is the third child of Joseph." How is Joseph related to Lucy?</p>			
Answer Options	A)	B)	C)	D)
	Father - In - Law	Father	Maternal Uncle	Grand Father
Right Answer	D			

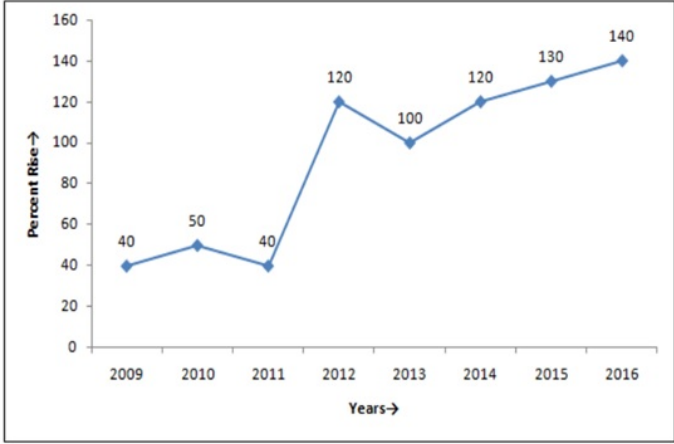
Question No. 11	Attracted by the serenity of the evening, a friend and I lately went to one of the public walks near the city. Here we (1) _____ together for some time. Then my friend, stopping suddenly, (2) _____ by the elbow, and led me out of the public walk. I could perceive by the quickness of this (3)_____, and by his frequently looking behind, that he was attempting to avoid somebody who followed.			
Answer Options	A) (1)sauntered, (2)trapped, (3)pace	B) (1)vamoosed, (2)relinquished, (3)hands	C) (1)dance, (2)caught, (3) gallop	D) (1)sauntered, (2)caught, (3)gallop
Right Answer	D			

Question No. 12	It was not surprising that my own countrymen should treat me so, for I had gained a (1) _____ of notoriety and popularity among them. Even for Englishmen I was individual and not merely one of the (2)_____ and, I imagine the fact that I had received my education in England, brought me (3)_____.			
Answer Options	A) (1) weight (2) collection (3) in juxtaposition with them	B) (1) ration (2) mass (3) nearer to them	C) (1) measure (2) dispersal (3) at a remote position	D) (1) measure (2) mass (3) nearer to them
Right Answer	D			

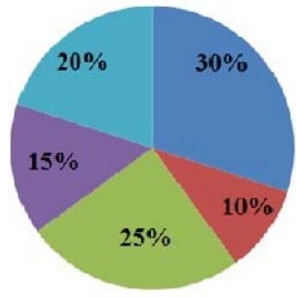
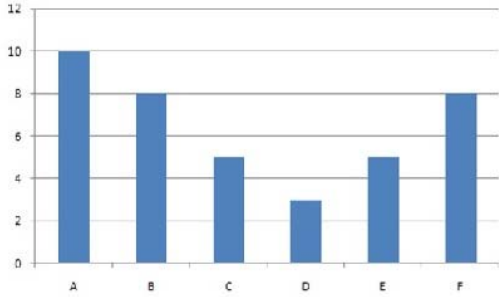
Question No. 13	Given below are four jumbled sentences. Out of the given options pick the one that gives their correct order. A: A man on a bike had to ride on the pavement. B: When he tried to plunge onto the road, a car hit him. C: As the bus inched through the evening life, the traffic grew. D: There was no space on the road any more.			
Answer Options	A) CBAD	B) DBCA	C) ADBC	D) CDAB
Right Answer	D			

Question No. 14	Select the Antonym of OFFHAND			
Answer Options	A) accurate	B) universal	C) appropriate	D) premeditated
Right Answer	D			

Question No. 15	What is the synonym of SEIZE			
Answer Options	A) Start	B) Release	C) Length	D) Grasp
Right Answer	D			

<p>Question No. 16</p>	<p>The Line graph given below shows the percent rise in population from 2009 to 2016.</p> <p>For how many years the percent rise was more than 100%</p> 			
<p>Answer Options</p>	<p>A) 4</p>	<p>B) 3</p>	<p>C) 2</p>	<p>D) 5</p>
<p>Right Answer</p>	<p>A</p>			

<p>Question No. 17</p>	<p>The following table gives the percentage of marks obtained by seven students in in six different subjects in an examination. What are the average marks obtained by all the seven students in Physics? (rounded off to two digit after decimal)</p> <p style="text-align: center;">The Numbers in the Brackets give the Maximum Marks in Each Subject.</p> <table border="1" data-bbox="370 1163 1206 1503"> <thead> <tr> <th rowspan="3">Student</th> <th colspan="6">Subject (Max. Marks)</th> </tr> <tr> <th>Maths</th> <th>Chemistry</th> <th>Physics</th> <th>Geography</th> <th>History</th> <th>Computer Science</th> </tr> <tr> <th>(150)</th> <th>(130)</th> <th>(120)</th> <th>(100)</th> <th>(60)</th> <th>(40)</th> </tr> </thead> <tbody> <tr> <td>Ayush</td> <td>90</td> <td>50</td> <td>90</td> <td>60</td> <td>70</td> <td>80</td> </tr> <tr> <td>Aman</td> <td>100</td> <td>80</td> <td>80</td> <td>40</td> <td>80</td> <td>70</td> </tr> <tr> <td>Sajal</td> <td>90</td> <td>60</td> <td>70</td> <td>70</td> <td>90</td> <td>70</td> </tr> <tr> <td>Rohit</td> <td>80</td> <td>65</td> <td>80</td> <td>80</td> <td>60</td> <td>60</td> </tr> <tr> <td>Muskan</td> <td>80</td> <td>65</td> <td>85</td> <td>95</td> <td>50</td> <td>90</td> </tr> <tr> <td>Tanvi</td> <td>70</td> <td>75</td> <td>65</td> <td>85</td> <td>40</td> <td>60</td> </tr> <tr> <td>Tarun</td> <td>65</td> <td>35</td> <td>50</td> <td>77</td> <td>80</td> <td>80</td> </tr> </tbody> </table>						Student	Subject (Max. Marks)						Maths	Chemistry	Physics	Geography	History	Computer Science	(150)	(130)	(120)	(100)	(60)	(40)	Ayush	90	50	90	60	70	80	Aman	100	80	80	40	80	70	Sajal	90	60	70	70	90	70	Rohit	80	65	80	80	60	60	Muskan	80	65	85	95	50	90	Tanvi	70	75	65	85	40	60	Tarun	65	35	50	77	80	80
Student	Subject (Max. Marks)																																																																									
	Maths	Chemistry	Physics	Geography	History	Computer Science																																																																				
	(150)	(130)	(120)	(100)	(60)	(40)																																																																				
Ayush	90	50	90	60	70	80																																																																				
Aman	100	80	80	40	80	70																																																																				
Sajal	90	60	70	70	90	70																																																																				
Rohit	80	65	80	80	60	60																																																																				
Muskan	80	65	85	95	50	90																																																																				
Tanvi	70	75	65	85	40	60																																																																				
Tarun	65	35	50	77	80	80																																																																				
<p>Answer Options</p>	<p>A) 58</p>	<p>B) 89.14</p>	<p>C) 74</p>	<p>D) 80</p>																																																																						
<p>Right Answer</p>	<p>B</p>																																																																									

<p>Question No. 18</p>	<p>The pie-chart shows sources of income for an NGO. The total income is Rs.40 crore. The bar chart gives the expenditure incurred on various items A – Food for poor, B – Education to illiterate, C – Mid-day deal programme, D – General Expenses, E – Eye Camp expenses, F – Integrated Street Children Programme. (in Crores)</p> <div style="display: flex; justify-content: space-around; align-items: center;">   </div> <p>What Percentage of money is saved by the NGO?</p>			
<p>Answer Options</p>	A) 0.035	B) 0.045	C) 0.025	D) 0.038
<p>Right Answer</p>	C			

<p>Question No. 19</p>	<p>Read the following information carefully and answer the following question.</p> <p>i) 'A \$ B' means 'A is mother of B'; ii) 'A # B' means 'A is father of B'; iii) 'A @ B' means 'A is husband of B'; iv) 'A % B' means 'A is daughter of B'.</p> <p>P @ Q \$ M # T indicates what relationship of P with T?</p>			
<p>Answer Options</p>	A) Paternal grandmother	B) Maternal grandmother	C) Paternal grandfather	D) Maternal grandfather
<p>Right Answer</p>	C			

<p>Question No. 20</p>	<p>A monkey starts climbing up a tree 20ft. tall. Each hour, it hops 3ft. and slips back 2ft. How much time would it take the monkey to reach the top?</p>			
<p>Answer Options</p>	A) 21 hours	B) 12 hours	C) 18 hours	D) 15 hours
<p>Right Answer</p>	C			

<p>Question No. 21</p>	<p>Gantt Chart is commonly used for _____</p>			
<p>Answer Options</p>	A) Routing	B) Scheduling	C) Follow up	D) Inspection and quality control
<p>Right Answer</p>	B			

Question No. 22	Consider the following features/factors: (i) Projects are of non-repetitive type, (ii) Time required need not be known, (iii) Events have been established for planning, (iv) Emphasis is given to activities of project. PERT is preferred for planning because of.....			
Answer Options	A)	B)	C)	D)
	(i), (ii) and (iv)	(ii), (iii) and (iv)	(i), (iii) and (iv)	(i), (ii) and (iii)
Right Answer	A			

Question No. 23	What is the Critical Path Method (CPM)			
Answer Options	A)	B)	C)	D)
	It is an improvement upon Bar Chart method	It provides a realistic approach to daily problems	It avoids delay which is common in Bar Chart	All the options
Right Answer	D			

Question No. 24	An activity has an early start(ES) of day 3, a late start(LS) of day 13, an early finish(EF) of day 9 and a late finish(LF) of day 19. The activity ____			
Answer Options	A)	B)	C)	D)
	Is on the Critical path	Has a Lag	Progressing well	Is not on the Critical path
Right Answer	D			

Question No. 25	The following extinguisher is suitable for cotton or other textile fire			
Answer Options	A)	B)	C)	D)
	Water	Soda acid	Foam	Dry chemicals
Right Answer	D			

Question No. 26	The following class of fire occur in electrical equipment			
Answer Options	A)	B)	C)	D)
	Class-A fires	Class-B fires	Class-C fires	All of the above
Right Answer	C			

Question No. 27	Which of the following is not a chemical-related health hazard?			
Answer Options	A)	B)	C)	D)
	Carcinogenicity	Reactivity	Corrosivity	Toxicity
Right Answer	B			

Question No. 28	You should wear eye, head, and face protection if you are working with which of the following tools?			
Answer Options	A)	B)	C)	D)
	Portable abrasive wheel tools	Electric tools	Pneumatic tools	Liquid fuel tools
Right Answer	C			

Question No. 29	BOD is measure of			
Answer Options	A)	B)	C)	D)
	The amount of oxygen consumed in the biological process	The utilization of organic substances by aerobic microorganisms	Respiratory needs of biological community	None of the above
Right Answer	A			

Question No. 30	Smoke + fog is called as			
Answer Options	A)	B)	C)	D)
	Soeg	smog	Both (A) and (B)	None of the above
Right Answer	B			

Question No. 31	A Company or organization can go to ISO 14000 certificate provided it has an ongoing environmental management system in operation for at least			
Answer Options	A)	B)	C)	D)
	3 months	6 months	1 year	5 years
Right Answer	B			

Question No. 32	Which statement is true?			
Answer Options	A)	B)	C)	D)
	Walton writes that business ethics is related with truth and justice	A businessman who follows unethical conduct in business should be socially boycotted by the people	Government in the country has enacted various laws, rule and regulations under the provisions of which the business is bound to act honestly	All of the above
Right Answer	D			

Question No. 33	Which is the basic principle of ethos for management?			
Answer Options	A)	B)	C)	D)
	Co-operation is powerful instrument for team work and success in any enterprise involving collective work	Holistic approach indicating unity between the Divine, Individual Self and the Universe	Immense potential energy and talents for perfection as human being has the spirit within his heart	All of the above
Right Answer	D			

Question No. 34	The concept of international social responsibility is the expectation that MNCs concern themselves about _____ effects of their decisions regarding activities in other countries.			
Answer Options	A)	B)	C)	D)
	philosophical	competitive	environmental	social and economic
Right Answer	D			

Question No. 35	Net working Capital refers to			
Answer Options	A)	B)	C)	D)
	Current assets less current liabilities	Total assets less total liabilities	Current assets less inventories	Total current assets
Right Answer	A			

Question No. 36	Non-cash items refer to			
Answer Options	A)	B)	C)	D)
	The credit sales of a firm	The accounts payable of a firm	Expenses charged against revenues that do not directly affect cash flow	All accounts on the balance sheet other than cash on hand
Right Answer	D			

Question No. 37	The factor, which is largely considered in making or buying decisions			
Answer Options	A)	B)	C)	D)
	Quality Suppliers	Dependability of Suppliers	Production irrelevancy	Both A & B
Right Answer	D			

Question No. 38	Which of the following model law was used by the Indian Arbitration & Conciliation Act,1996			
Answer Options	A)	B)	C)	D)
	Indian Constitution	Guideline of Supreme Court	European commercial Arbitration procedure	UNICITRAL
Right Answer	D			

Question No. 39	An arbitral award made under Arbitration & Conciliation Act,1996 shall be considered as a _____			
Answer Options	A)	B)	C)	D)
	General award	International award	Domestic award	Foreign award
Right Answer	C			

Question No. 40	Which level of management is responsible for implementing programs that are intended to carry out the broader objectives of an organization set by management			
Answer Options	A)	B)	C)	D)
	Supervisory managers	Middle managers	First level managers	Financial managers
Right Answer	B			

Question No. 41	The rate at which electrical energy is used may be measured in:			
Answer Options	A)	B)	C)	D)
	watt/second	watt second	watt	kilowatt-hour
Right Answer	C			

Question No. 42	Radio waves are readily diffracted around buildings whereas light waves are negligibly diffracted around buildings. This is because radio waves:			
Answer Options	A)	B)	C)	D)
	are plane polarized	have much longer wavelengths than light waves	have much shorter wavelengths than light waves	are nearly monochromatic (single frequency)
Right Answer	B			

Question No. 43	An ideal gas expands into a vacuum in a rigid vessel. As a result there is:			
Answer Options	A)	B)	C)	D)
	a change in entropy	a change in temperature	a change in phase	an increase of pressure
Right Answer	A			

Question No. 44	A heat engine:			
Answer Options	A)	B)	C)	D)
	converts heat input to an equivalent amount of work	converts work to an equivalent amount of heat	takes heat in, does work, and loses energy as heat	uses positive work done on the system to transfer heat from a low temperature reservoir to a high temperature reservoir
Right Answer	C			

Question No. 45	The coefficient of kinetic friction:			
Answer Options	A)	B)	C)	D)
	is in the direction of the frictional force	is in the direction of the normal force	is the ratio of force to area	None of the above
Right Answer	D			

Question No. 46	Which of the following is a crystalline solid?			
Answer Options	A)	B)	C)	D)
	Tar	Butter	Glass	Common salt
Right Answer	D			

Question No. 47	Which of the following are physical changes? (i) Melting of iron metal (ii) Rusting of iron (iii) Bending of an iron rod (iv) Drawing a wire of iron metal			
Answer Options	A)	B)	C)	D)
	(i), (ii) and (iii)	(i), (ii) and (iv)	(i), (iii) and (iv)	(ii), (iii) and (iv)
Right Answer	C			

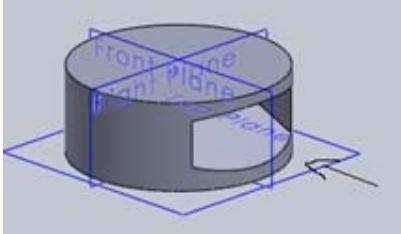
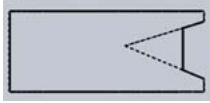

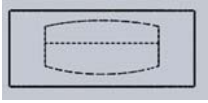
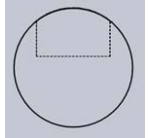
Question No. 48	The monomers of Buna-S rubber are			
Answer Options	A)	B)	C)	D)
	styrene and butadiene	isoprene and butadiene	vinyl chloride and sulphur	butadiene
Right Answer	A			

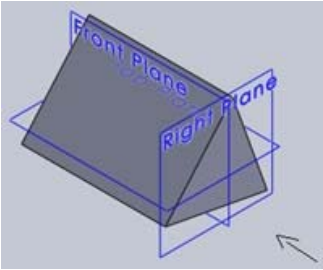
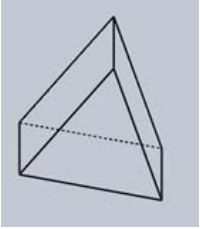
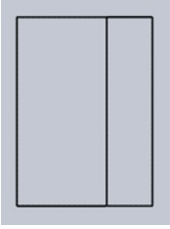
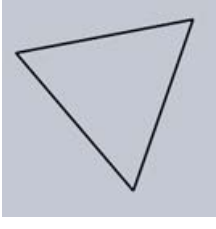
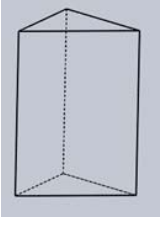
Question No. 49	Equal masses of ethane and hydrogen are mixed in any empty container at 25°C. The fraction of total pressure exerted by hydrogen is			
Answer Options	A) 1:2	B) 1:1	C) 1:16	D) 15:16
Right Answer	D			

Question No. 50	n-propyl bromide on treating with alcoholic KOH produces			
Answer Options	A) propyne	B) propene	C) propane	D) propanol
Right Answer	B			

Question No. 51	When a solid completely penetrates another solid, there will be two lines of intersection. These lines are called _____			
Answer Options	A) line of interpenetration	B) concylic curves of lines	C) hidden lines	D) inside line
Right Answer	A			

Question No. 52	Drawing straight lines on both the surfaces of solids and then pointing the points where they intersect and drawing lines which forms the line of intersection this process of finding the line of intersection is termed as _____ method.			
Answer Options	A) assumption	B) line	C) removing material	D) cutting- plane
Right Answer	B			

Question No. 53	Identify the back view for the below cylinder.			
				
Answer Options	A) 	B) 	C) 	D) 
Right Answer	C			

<p>Question No. 54</p>	<p>Identify the front view from the isometric view for the below-given prism.</p> 			
<p>Answer Options</p>	<p>A)</p> 	<p>B)</p> 	<p>C)</p> 	<p>D)</p> 
<p>Right Answer</p>	<p>C</p>			

<p>Question No. 55</p>	<p>The perspectives of concentric circles are not concentric _____</p>			
<p>Answer Options</p>	<p>A) circles</p>	<p>B) ellipses</p>	<p>C) spheres</p>	<p>D) ellipsoids</p>
<p>Right Answer</p>	<p>B</p>			

<p>Question No. 56</p>	<p>The major (Most abundant) fraction of milk protein is called</p>			
<p>Answer Options</p>	<p>A) Ovalbumin</p>	<p>B) Lactoglobulin</p>	<p>C) Lactalbumin</p>	<p>D) Casein</p>
<p>Right Answer</p>	<p>D</p>			

<p>Question No. 57</p>	<p>'Soggy' is the body defect in ice cream due to</p>			
<p>Answer Options</p>	<p>A) Low over run</p>	<p>B) high over run</p>	<p>C) low sugar content</p>	<p>D) High Sugar content</p>
<p>Right Answer</p>	<p>A</p>			

Question No. 58	As per FSSAI, Milk Fat, %, (m/m) in Medium Fat Ice Cream			
Answer Options	A)	B)	C)	D)
	More than 2.5 and less than 10.0	More than 3.0 and less than 12.0	More than 2.5 and less than 12.0	More than 3.0 and less than 10.0
Right Answer	A			

Question No. 59	The best temperature of homogenization is in the range of (°C)			
Answer Options	A)	B)	C)	D)
	30-40 °C	60-70 °C	40-70 °C	40-50 °C
Right Answer	B			

Question No. 60	Sweetened Condensed milk contain sugar not less than			
Answer Options	A)	B)	C)	D)
	0.35	0.4	0.45	0.556
Right Answer	B			

Question No. 61	As per Fssai, what is the maximum milk fat % (m/m) of Whey Powder?			
Answer Options	A)	B)	C)	D)
	0.5	1.5	2	2.5
Right Answer	C			

Question No. 62	As per Fssai, Milk fat, minimum, %, (m/m), dry matter basis in Khoa			
Answer Options	A)	B)	C)	D)
	25	30	35	40
Right Answer	B			

Question No. 63	Increase in coagulation period of cheddar cheese causes			
Answer Options	A)	B)	C)	D)
	Decrease in moisture content	No effect	Increase in moisture content	Increase in Protein content
Right Answer	C			

Question No. 64	Coffee cream generally contains Fat% of in the range of			
Answer Options	A)	B)	C)	D)
	65-85%	30-40%	20-25%	10-15%
Right Answer	C			

Question No. 65	Flavor produced due to Excessive Long Storage in Khoa in Low Temperature (5-10°C)			
Answer Options	A)	B)	C)	D)
	Stale	Smoky	Rancid	Sour
Right Answer	A			

Question No. 66	If temperature of milk increases, the viscosity_____			
Answer Options	A)	B)	C)	D)
	Increases	Decreases	Remains same	Slightly increases then starts decreasing
Right Answer	B			

Question No. 67	Rosalic Acid test is generally carried out in Milk to detect presence of			
Answer Options	A)	B)	C)	D)
	Carbonates	Formaldehyde	Benzoic Acid	Sucrose
Right Answer	A			

Question No. 68	Which are the proteolytic enzymes			
Answer Options	A)	B)	C)	D)
	Invertase & Cellulose	Invertase & Pepsin	Cellulose & Rennin	Rennin & Pepsin
Right Answer	D			

Question No. 69	Lipolysis imparts which Taste?			
Answer Options	A)	B)	C)	D)
	Sour	Sweet	Soapy Rancid taste	Salty
Right Answer	C			

Question No. 70	Which of the following is responsible for development of off flavour in fluid milk when exposed to light			
Answer Options	A)	B)	C)	D)
	Citric Acid	Lactic Acid	Ascorbic Acid	Butyric Acid
Right Answer	D			

Question No. 71	The principal protein in cheese is			
Answer Options	A)	B)	C)	D)
	Rennin	Casein	Lactoglobulin	Lactalbumin
Right Answer	B			

Question No. 72	Which of the following acts as catalyst during oxidation of dried milk?			
Answer Options	A)	B)	C)	D)
	Ca & Mg	Mg & Na	Cu & Fe	All of these
Right Answer	C			

Question No. 73	Iodine value of Ghee ranges between			
Answer Options	A)	B)	C)	D)
	20-25	26-38	40-45	45-49
Right Answer	B			

Question No. 74	Rancidity in Khoa develops due to			
Answer Options	A)	B)	C)	D)
	Fat hydrolysis of lipase	Over heating	Protein Breakdown	None of these
Right Answer	A			

Question No. 75	Lactose in the milk powder is			
Answer Options	A)	B)	C)	D)
	Non Crystalline	Crystalline	Stable anhydrous a-Lactose	All of these
Right Answer	A			

Question No. 76	Coagulation of rennet milk does not change by heating if			
Answer Options	A)	B)	C)	D)
	β -lactoalbumin is present	β -lactoalbumin is absent	α -lactoalbumin is present	α -lactoalbumin is absent
Right Answer	B			

Question No. 77	Milk of which species has the least content of protein in it?			
Answer Options	A)	B)	C)	D)
	Cow	Buffalo	Human	Donkey
Right Answer	C			

Question No. 78	As per Fssai, what is the maximum coliform count of Khoa?			
Answer Options	A)	B)	C)	D)
	90/g	100/g	80/g	85/g
Right Answer	A			

Question No. 79	_____ is best suited for the preparation of mother starter?			
Answer Options	A)	B)	C)	D)
	Milk pasteurized by HTLT	Antibiotic mixed milk	Re-constituted spray dried milk	Milk with 6-7% milk solids
Right Answer	C			

Question No. 80	Metabolic Rate of psychographs as compared to mesophilic is			
Answer Options	A)	B)	C)	D)
	Less	More	Equal	Two Times
Right Answer	A			

Question No. 81	Protein efficiency ratio (PER) is the weight in g			
Answer Options	A)	B)	C)	D)
	gained by consuming 1 g of protein	lost by by consuming 1 g of protein	neither of (a) or (b)	none of these above
Right Answer	A			

Question No. 82	Dairy Starter responsible for acidophilus butter milk			
Answer Options	A)	B)	C)	D)
	L.lactis	L.acidophilus	L.lhelveticus	S.durans
Right Answer	B			

Question No. 83	Bacterial ropiness in milk caused by slimy capsular material from the cell usually			
Answer Options	A)	B)	C)	D)
	Gums or mucins	Proteins	Lipids	All of these
Right Answer	A			

Question No. 84	Which is the following important functions is not performed by an active starter?			
Answer Options	A)	B)	C)	D)
	Acid production	Desired flavour production	Salt (Base) Production	Prevention of growth of undesirable Microorganism
Right Answer	C			

Question No. 85	Culture used in milk for therapeutic purpose in controlling intestinal fermentation			
Answer Options	A)	B)	C)	D)
	Lactobacillum casei	Streptococcus lactis	Bacterium lactis	Lactobacillus acidophilus
Right Answer	D			

Question No. 86	Coliform contaminating milk belong to the category of			
Answer Options	A)	B)	C)	D)
	Aerobic	Anaerobic	Facultative	None of these
Right Answer	C			

Question No. 87	Bacillus cereus produces a defect in pasteurized milk known as			
Answer Options	A)	B)	C)	D)
	Sweet Curdling	Non-Sweet Curdling	Salt Curdling	Bitter curdling
Right Answer	A			

Question No. 88	In rotary drum drier the cake is removed by the knife known as			
Answer Options	A)	B)	C)	D)
	Doctor blade	Cutting blade	Flat blade	Blunt blade
Right Answer	A			

Question No. 89	In spray drying the temperature of milk droplets is generally kept at			
Answer Options	A)	B)	C)	D)
	49-54 °C	54-60 °C	60-65 °C	65-70 °C
Right Answer	A			

Question No. 90	Heat transfer takes place in regenerator type heat exchanger by			
Answer Options	A)	B)	C)	D)
	Generation of heat again and again	Indirect transfer	Direct mixing of hot and cold fluid	Flow of hot and cold fluid alternatively over a surface
Right Answer	D			

Question No. 91	Placing between the plates of Plate Heat exchanger is nearly			
Answer Options	A)	B)	C)	D)
	1 mm	3 mm	5 mm	7.5 mm
Right Answer	B			

Question No. 92	Flow diversion valve check the quality of milk in terms of			
Answer Options	A)	B)	C)	D)
	Flow Rate	Viscosity	Velocity	Temperature
Right Answer	D			

Question No. 93	Fouling factor			
Answer Options	A)	B)	C)	D)
	is a dimensionless quantity	Does not provide a safety factor	accounts for additional resistance to heat flow	None of these
Right Answer	C			

Question No. 94	Which of the following number expresses convective heat transfer coefficient?			
Answer Options	A)	B)	C)	D)
	Prandtl	Grashoff	Nusselt	None of these
Right Answer	C			

Question No. 95	In convection temperature and velocity gradients vary only in the			
Answer Options	A)	B)	C)	D)
	Boundary layer	Inner layer	Interface	None of these
Right Answer	A			

Question No. 96	Stoke's law is usually used for			
Answer Options	A)	B)	C)	D)
	Streamline flow	Laminar flow	Turbulent flow	None of these
Right Answer	A			

Question No. 97	In a heat exchanger, for a given heat flow, and also same inlet and outlet temperature, the heat transfer area will be minimum for			
Answer Options	A)	B)	C)	D)
	Counter flow type	Parallel flow type	Cross flow type	None of these
Right Answer	A			

Question No. 98	Milk of which species has the highest content of lactose in it			
Answer Options	A)	B)	C)	D)
	Cow	Donkey	Human	Buffalo
Right Answer	B			

Question No. 99	Which salt is preferred to separate casein from whey proteins in milk to study the extent of denaturation in the later?			
Answer Options	A)	B)	C)	D)
	MgSO ₄	CaCl ₂	(NH ₄) ₂ SO ₄	NaCl
Right Answer	D			

Question No. 100	Which fraction of milk is Ca-insensitive?			
Answer Options	A)	B)	C)	D)
	κ-casein	α-s ₁ casein	α-s ₂ casein	β-casein
Right Answer	A			