

CII – iPATE 2.0 (2021)

Computer Based PAN India Examination

Category: GRADUATE ENGINEER (ENTRY LEVEL)

Engineering Discipline: ELECTRICAL ENGINEERING

Questions & Answers

(Published dtd. 19.11.2021)

Paper Structure

Question Nos.	Sections & Topics		Marks
1 to 20	Section I : Cognitive Abilities	<ul style="list-style-type: none">• Quantitative Aptitude• Analytical Reasoning• Data Interpretation• English Communication	20
21 to 40	Section II : Professional Abilities	<ul style="list-style-type: none">• Project Management• Health, Safety & Risk Management• Environmental Laws• Social Responsibility & Ethics• Finance & Accounts• Legal, Contracts & Arbitration	20
41 to 50	Section III (A) : Technical Abilities	Physics & Chemistry (10+2 level)	10
51 to 100	Section III (B) : Technical Abilities	Engineering Discipline	50
TOTAL			100

NOTE:

- Exam Duration: 3 Hours
- Total 100 no. of Questions of 1 Mark each with Negative Marking of ½ Mark for every wrong answer
- Questions (Section wise) and respective Answer Options shuffled at Candidates' terminal

Question No. 1	Discriminant of a second-degree polynomial with integer coefficients cannot be:			
Answer Options	A)	B)	C)	D)
	43	33	68	25
Right Answer	A			

Question No. 2	How many subsets A of {1, 2, 3, 4, 5, 6, 7, 8, 9, and 10} have the property that no two elements of A sum to 11?			
Answer Options	A)	B)	C)	D)
	1024	512	343	243
Right Answer	C			

Question No. 3	Viru and Aarti started a car journey from Chandigarh to Delhi, which are 288 km apart. Viru took 12 hours more than Aarti to complete the journey. Had Viru travelled at double his actual speed, he would have taken 4 hours less than Aarti to complete the journey. Find the respective speeds (in km/hr) at which Viru and Aarti travelled.			
Answer Options	A)	B)	C)	D)
	14.4 and 9	14.5 and 28.5	9 and 14.4	15 and 20
Right Answer	C			

Question No. 4	The height of a trapezoid whose diagonals are mutually perpendicular is equal to 4. Find the area of the trapezoid if it is known that the length of one of its diagonals is equal to 5.			
Answer Options	A)	B)	C)	D)
	50/3 square units	100/3 square units	16/6 square units	None of these
Right Answer	A			

Question No. 5	A polyhedron has faces that are all either triangles or squares. No two square-faces share an edge, and no two triangular-faces share an edge. What is the ratio of triangular-faces to the number of square-faces?			
Answer Options	A)	B)	C)	D)
	03:04	04:03	01:02	04:05
Right Answer	B			

Question No. 6	Your mind likes reading and it actually has a number of important health affects you can't get in any other way. Reading gives you a unique "pause button" for comprehension. Typically, when you read, you have more time to think. When you watch a film or listen to a tape, you don't press that pause button. Reading requires a great deal of concentration, which calls your intelligence to action. The author of this passage would agree that:			
Answer Options	A)	B)	C)	D)
	Reading is a good way to relax, since it doesn't require that much thinking.	Watching a movie has the same effect on the intelligence as reading.	Reading develops your intelligence.	Both A and C
Right Answer	C			

Question No. 7	Read the following information carefully and answer the question given below. P stands 5m west of R. T stands 5m south of Q. T stands 6m east of U. V stands 2m west of Q. A stands 2m south of U. V stands 3m north of R. If G stands 7m east of P, then in which direction does G stands with respect to T?			
Answer Options	A)	B)	C)	D)
	West	East	South	North
Right Answer	D			

Question No. 8	The French Revolution began in 1789 and ended in the late 1790s with the ascent of Napoleon Bonaparte. During this period, French citizens razed and redesigned their country's political landscape, uprooting centuries-old institutions such as absolute monarchy and the feudal system. Like the American Revolution before it, the French Revolution was influenced by Enlightenment ideals, particularly the concepts of popular sovereignty and inalienable rights. From this passage it can be concluded that:			
Answer Options	A)	B)	C)	D)
	The French revolution began before the Russian Revolution.	In the French Revolution their monarch was killed.	The American Revolution happened before the French Revolution.	Napoleon initiated the French Revolution.
Right Answer	C			

Question No. 9	A, B, C, D and E are sitting on a bench. A is sitting next to B, C is sitting next to D, D is not sitting with E who is on the left end of the bench. C is on the second position from the right. A is to the right of B and E. A and C are sitting together. In which position A is sitting?			
Answer Options	A)	B)	C)	D)
	Between B and C	Between E and D	Between B and D	Between C and E
Right Answer	A			

Question No. 10	A, P, R, X, S and Z are sitting in a row. S and Z are in the centre. A and P are at the ends. R is sitting to the left of A. Who is to the right of P?			
Answer Options	A)	B)	C)	D)
	X	Z	S	A
Right Answer	A			

Question No. 11	In the following question choose the word which is the exact OPPOSITE of the given word. STRINGENT			
Answer Options	A)	B)	C)	D)
	Magnanimous	Vehement	General	Lenient
Right Answer	D			

Question No. 12	Some proverbs/idioms are given below together with their meanings. Choose the correct meaning of proverb/idiom. To catch a tartar			
Answer Options	A)	B)	C)	D)
	To trap wanted criminal with great difficulty	To catch a dangerous person	To meet with disaster	To deal with a person who is more than one's match
Right Answer	B			

Question No. 13	Which of the phrases A), B), C) and D) given below each sentence should replace the word/phrase printed in bold in the sentence to make it grammatically correct? If the sentence is correct as it is given and no correction is required, mark (E) as the answer. Since the girl did not want to be disturbed while studying, she left the phone off hooks.			
Answer Options	A)	B)	C)	D)
	of hook	for the hook	off hooking	off the hook
Right Answer	D			

Question No. 14	In the following question choose the word which is the exact OPPOSITE of the given word. FICKLE			
Answer Options	A)	B)	C)	D)
	Courageous	Sincere	Steadfast	Humble
Right Answer	C			

Question No. 15	<p>In question below, the passage consists of six sentences. The first and sixth sentence are given in the correct places. The middle four sentences in each have been removed and jumbled up. These are labelled as P, Q, R and S. Find out the proper order for the four sentences.</p> <p>S1: In the middle of one side of the square sits the Chairman of the committee, the most important person in the room.</p> <p>P: For a committee is not just a mere collection of individuals.</p> <p>Q: On him rests much of the responsibility for the success or failure of the committee.</p> <p>R: While this is happening, we have an opportunity to get the 'feel' of this committee.</p> <p>S: As the meeting opens, he runs briskly through a number of formalities.</p> <p>S6: From the moment its members meet, it begins to have a sort nebulous life of its own.</p> <p>The Proper sequence should be:</p>			
Answer Options	A)	B)	C)	D)
	RSQP	QSRP	SQPR	PQRS
Right Answer	B			

Question
No. 16

Question nos. 16 to 20:

Following bar chart represents the number of people in 6 different villages (A, B, C, D, E and F) and the tabular column depicts the ratio of literate to illiterate people and percentage of male living in those villages.



If 40% of the female from village B is literate, then what is the percentage of male, who is illiterate from village B?

Answer Options	A)	B)	C)	D)
	38%	35%	37%	cannot be determined
Right Answer	C			

Question
No. 17

What is the percentage of literate people in all the six villages together?

Answer Options	A)	B)	C)	D)
	55%	53%	51%	cannot be determined
Right Answer	B			

Question
No. 18

What is the ratio between numbers of illiterate people from villages B, C & D to number of females from villages A, E & F?

Answer Options	A)	B)	C)	D)
	320:527	527:330	330:527	527:320
Right Answer	C			

Question
No. 19

If 3% of female from village D & 5% of female from village E are literate then what is the total number of literate males from D & F together?

Answer Options	A)	B)	C)	D)
	1823	1723	1623	cannot be determined
Right Answer	D			

Question
No. 20

The number of females from villages A & C is how much percentage more or less than number of females from villages D & F?

Answer Options	A)	B)	C)	D)
	25.72%	25.76%	24.76%	24.72%
Right Answer	C			

Question No. 21	A project plan results in a project schedule seems to be too long. If the project network diagram cannot change but extra personnel resources is available, what is the best thing to do?			
Answer Options	A)	B)	C)	D)
	Fast track the project	Level the resources	Crash the project	Any other option
Right Answer	C			

Question No. 22	Which of the following is not Project Management's goal			
Answer Options	A)	B)	C)	D)
	Keeping overall cost within the budget	Delivering the project/goods to the client at agreed time	Maintaining a satisfactory and well-functioning development	Avoiding customer/client complaints
Right Answer	D			

Question No. 23	You have recently been named as Project Manager of a new project under a Contract. The Project Management Unit (PMU) gave you the contract signed by the Customer and a Statement of Work and asked you to go on with initiation. Which document should you develop next?			
Answer Options	A)	B)	C)	D)
	Project Manager Plan	Milestone Schedule	Project Charter	Scope Statement
Right Answer	C			

Question No. 24	The analysis tool for a quality problem that involves selecting the problem, identifying major categories of potential causes and associating likely specific causes is			
Answer Options	A)	B)	C)	D)
	Pareto chart	Fishbone diagram	Scatter diagram	Check list
Right Answer	B			

Question No. 25	The Occupational Safety & Health Administration requires employers to have Hearing Conservation Plans if the average 8-hour noise exposure is more than			
Answer Options	A)	B)	C)	D)
	1000 dB	500 dB	105 dB	85 dB
Right Answer	D			

Question No. 26	Ammonia becomes an immediate danger to your life and health when it is present at the following level or greater			
Answer Options	A)	B)	C)	D)
	10 ppm	30 ppm	300 ppm	1000 ppm
Right Answer	C			

Question No. 27	Exposure to high levels of noise can lead to which of the following:			
Answer Options	A)	B)	C)	D)
	High blood pressure	Gastrointestinal problems	Chronic fatigue	All of the above
Right Answer	D			

Question No. 28	Which type of fire extinguishing system is most commonly used to protect areas containing valuable equipment such as data processing rooms, telecommunications switches, and process control rooms?			
Answer Options	A)	B)	C)	D)
	Fixed extinguishing systems	Portable extinguishing systems	Hose extinguishing systems	It's up to the discretion the employer
Right Answer	A			

Question No. 29	If you need to wear glasses with your eye or face protection, which of the following options is acceptable			
Answer Options	A)	B)	C)	D)
	Wearing prescription spectacles with side shields and protective lenses that meet safety requirements and also correct your vision	Wearing goggles that fit comfortably over your glasses	Wearing goggles that have corrective lenses mounted behind the protective lenses	All of the above
Right Answer	D			

Question No. 30	Under which Section of Environment Pollution Act, the CPCB can issue the directions directly to industries			
Answer Options	A)	B)	C)	D)
	Section 16	Section 18	Section 11	Section 5
Right Answer	D			

Question No. 31	Which of these divisions of Pollution Control Implementation deals with Air Polluting Industries			
Answer Options	A)	B)	C)	D)
	PCI - I	PCI - II	PCI - III	SSI & Law
Right Answer	B			

Question No. 32	The Kyoto Protocol is an international treaty which extends the United Nations Framework Convention on Climate Change (UNFCCC). In which year the convention held?			
Answer Options	A)	B)	C)	D)
	1987	1995	1992	1997
Right Answer	C			

Question No. 33	What is the harm from manipulation of Earth's Ozone layer?			
Answer Options	A)	B)	C)	D)
	The average temperature of Earth's surface will increase gradually	The Oxygen content of the atmosphere will decrease	Increased amount of Ultraviolet radiation will reach earth's surface	Sea level will rise as the polar ice caps will gradually melt
Right Answer	C			

Question No. 34	Which of the following would not represent the cash outflows for the business?			
Answer Options	A)	B)	C)	D)
	Purchase of building for cash	The sale of land for cash	Retirement of long-term debt	The payment of cash for dividends
Right Answer	B			

Question No. 35	Which one of the following tangible fixed assets would not normally be depreciated?			
Answer Options	A)	B)	C)	D)
	Buildings	Machinery	Land	Equipment
Right Answer	C			

Question No. 36	A Profit is earned if?			
Answer Options	A)	B)	C)	D)
	Assets exceed Expenditure	Income exceeds Expenditure	Cash Inflow exceeds Cash Outflow	Income exceeds Liabilities
Right Answer	B			

Question No. 37	Which of the following budgets is normally prepared first?			
Answer Options	A)	B)	C)	D)
	Cash budget	Sales budget	Merchandise purchases budget	Selling expense budget
Right Answer	B			

Question No. 38	What is the correct sequence in the formation of a contract?			
Answer Options	A)	B)	C)	D)
	Offer, acceptance, agreement, consideration.	Agreement, consideration, offer, acceptance.	Offer, agreement, consideration, acceptance.	Offer, acceptance, consideration, agreement.
Right Answer	D			

Question No. 39	Which of the following answers is most accurate description of arbitration?			
Answer Options	A)	B)	C)	D)
	An informal meeting between the parties involving a discussion to sort out the dispute	An adjudicative process where the parties submit their disputes for a binding decision to an impartial tribunal	A meeting between the parties where an impartial third party gives decision	An impartial umpire selected to decide after hearing the dispute from parties
Right Answer	B			

Question No. 40	Which of the following answers is not type of alternative dispute resolution?			
Answer Options	A)	B)	C)	D)
	Arbitration	Court proceedings	Conciliation	Mediation
Right Answer	B			

Question No. 41	The equation of state for n moles of an ideal gas is $PV = nRT$, where R is the universal gas constant and all other quantities have their usual meanings. What are the dimensions of R?			
Answer Options	A)	B)	C)	D)
	$M^0L^{-2}K^{-1}mol^{-1}$	$M^0L^2T^{-2}K^{-1}mol^{-1}$	$ML^2T^{-2}K^{-1}mol^{-1}$	$ML^{-2}T^{-2}K^{-1}mol^{-1}$
Right Answer	C			

Question No. 42	A cylindrical tube open at both ends has fundamental frequency n. If one of the ends is closed, the fundamental frequency will become			
Answer Options	A)	B)	C)	D)
	$n/2$	$2n$	$4n$	n
Right Answer	A			

Question No. 43	The speed of sound in a gas is V and the root mean square speed of the gas molecules is V_{rms} . If the ratio of the specific heats of the gas is 1.5, then the ratio of V: V_{rms} will be			
Answer Options	A)	B)	C)	D)
	1:2	1:3	$1:\sqrt{2}$	$1:\sqrt{3}$
Right Answer	C			

Question No. 44	Which of the following phenomena gives evidence of the molecular structure of the matter?			
Answer Options	A)	B)	C)	D)
	Brownian motion	Diffusion	Evaporation	All of these
Right Answer	D			

Question No. 45	Starting with the same initial conditions, an ideal gas expands from volume V_1 to V_2 in three different ways. The work done by the gas is W_1 if the process is purely isobaric, W_2 if the process is purely isochoric and W_3 if the process is purely adiabatic. Then			
Answer Options	A) $W_1 > W_2 > W_3$	B) $W_2 > W_1 > W_3$	C) $W_1 > W_3 > W_2$	D) $W_3 > W_1 > W_2$
Right Answer	A			

Question No. 46	A vessel contains a mixture of 1 mole of oxygen and two moles of nitrogen at 300K. The ratio of the rotational kinetic energy per O_2 molecule to that per N_2 molecule is			
Answer Options	A) 1:1	B) 1:2	C) 2:1	D) Depends on the moment of inertia of the two molecules
Right Answer	A			

Question No. 47	In a test experiment on a model aeroplane in a wind tunnel, the flow speeds on the lower and upper surfaces of the wing are v and $\sqrt{2}v$ respectively. If the density of air is ρ and the surface area of the wing is A , the dynamic lift on the wing is given by			
Answer Options	A) $(\rho v^2 A)/\sqrt{2}$	B) $(\rho v^2 A)/2$	C) $2\rho v^2 A$	D) $\sqrt{2}\rho v^2 A$
Right Answer	B			

Question No. 48	A boy whirls a stone in a horizontal circle 2m above the ground by means of a string 1.25m long. The string breaks and the stone flies off horizontally, striking the ground 10m away. What is the magnitude of the centripetal acceleration during circular motion? (Take $g=10\text{m/s}^2$)			
Answer Options	A) 400m/s^2	B) 300m/s^2	C) 200m/s^2	D) 100m/s^2
Right Answer	C			

Question No. 49	Radium (with Atomic no. = 87, Mass No. = 221) undergoes radioactive decay with a half-life of 4 days. The probability that a Ra nucleus will disintegrate in 8 days is			
Answer Options	A) 1/4	B) 3/4	C) 1/2	D) 1
Right Answer	B			

Question No. 50	A tunnel is dug along the diameter of the earth. An object is held in the tunnel at a distance x from the centre of the earth. The magnitude of the gravitational force on the object is proportional to			
Answer Options	A) $1/x$	B) $1/x^2$	C) x	D) x^2
Right Answer	C			

Question No. 51	A sine wave voltage is applied across a capacitor, when the frequency of the voltage is increased, the current through capacitor			
Answer Options	A) increases	B) decreases	C) remains the same	D) is zero
Right Answer	A			

Question No. 52	A parallel resonant circuit has a resistance of 2k ohm and half power frequencies of 80KHz and 90KHz. The quality factor is			
Answer Options	A) 8.5	B) 10	C) 48	D) 20
Right Answer	A			

Question No. 53	An inductive coil connected to a 200V, 50Hz AC supply with 10A current flowing through it dissipates 1000W. Which of the following will have least value?			
Answer Options	A) Resistance R	B) Reactance X	C) Impedance Z	D) None of these
Right Answer	A			

Question No. 54	The RMS value of the voltage $u(t)=3+4\cos(3t)$ is			
Answer Options	A) $\sqrt{17}$ V	B) 5 V	C) 7 V	D) $(3+2\sqrt{2})$ V
Right Answer	A			

Question No. 55	A passive 2-port network is in a steady-state. Compared to its input, the steady state output can never offer			
Answer Options	A) higher voltage	B) lower impedance	C) greater power	D) better regulation
Right Answer	C			

Question No. 56	A monopole consists of			
Answer Options	A) a single charge	B) Two positive and two negative charges	C) Two positive and one negative charges	D) one positive and two negative charges
Right Answer	A			

Question No. 57	What is the major factor for determining, whether a medium is free space, lossless dielectric, lossy dielectric or good conductor			
Answer Options	A) Reflection coefficient	B) Attenuation constant	C) Loss tangent	D) Constitutive parameters
Right Answer	C			

Question No. 58	An integration of any vector around closed path is always equal to the integration of the curl of that vector throughout the surface enclosed by that path. The above statement is known as			
Answer Options	A)	B)	C)	D)
	Ampere's law	Stoke's theorem	Biot-Savart's law	Physical interpretations of curl
Right Answer	B			

Question No. 59	In a uniform electric field, field lines and equipotentials			
Answer Options	A)	B)	C)	D)
	are parallel to one another	intersect at 45 degree	intersect at 30 degree	are orthogonal
Right Answer	D			

Question No. 60	Inside a hollow conducting sphere			
Answer Options	A)	B)	C)	D)
	electric field is zero	electric field is a non-zero constant	electric field changes with the magnitude of the charge given to the conductor	electric field changes with distance from the centre of the sphere
Right Answer	A			

Question No. 61	Which one is a causal system?			
Answer Options	A)	B)	C)	D)
	$y(n)=3x(n)-2x(n-1)$	$y(n)=3x(n)+2x(n+1)$	$y(n)=3x(n+1)+2x(n-1)$	$y(n)=3x(n+1)+2x(n-1)+x(n)$
Right Answer	A			

Question No. 62	Which one is most appropriate dynamic system out of the following			
Answer Options	A)	B)	C)	D)
	$y(n)=y(n-1)+y(n+1)$	$y(n)=y(n-1)$	$y(n)=y(n)$	$y(n)+y(n+1)+y(n+3)=0$
Right Answer	A			

Question No. 63	An LTI system is completely characterized by its			
Answer Options	A)	B)	C)	D)
	unit impulse response	time shifted impulses	unit step response	response to any signal (bounded)
Right Answer	A			

Question No. 64	Consider a signal $f(t)=3t^2+2t+1$ which is multiplied by 2unit delayed version of impulse and integrated over period $-a$ to a , the resultant is given by			
Answer Options	A) 1	B) 6	C) 17	D) 16
Right Answer	C			

Question No. 65	For a particular signal, average power in its six harmonic components as 10mW each and fundamental component also has 10mV power. Then, average power in the periodic signal will be			
Answer Options	A) 70	B) 60	C) 10	D) 5
Right Answer	B			

Question No. 66	Which type of signal is ramp signal?			
Answer Options	A) energy signal	B) power signal	C) both energy and power signal	D) neither energy nor power signal
Right Answer	D			

Question No. 67	Fourier transform of the signal $x(t)=e^{-4 t }$ is			
Answer Options	A) $8/(16+\omega^2)$	B) $-4/(16+\omega^2)$	C) $4/(16+\omega^2)$	D) $-8/(16+\omega^2)$
Right Answer	A			

Question No. 68	In a constant voltage transformer (CVT), the output voltage remains constant due to			
Answer Options	A) Capacitor	B) input inductor	C) saturation	D) tapped windings
Right Answer	A			

Question No. 69	The core flux of a practical transformer with a resistive load			
Answer Options	A) is strictly constant with load changes	B) increases linearly with load	C) increases as the square root of the load	D) decreases with increased load
Right Answer	A			

Question No. 70	In a transformer, if the iron and copper losses are 40.5KW and 50KW respectively, then at what fraction of load the efficiency will be maximum?			
Answer Options	A) 0.8	B) 0.57	C) 0.7	D) 0.9
Right Answer	D			

Question No. 71	In load flow analysis, the load at a bus is represented as			
Answer Options	A)	B)	C)	D)
	a constant current drawn from the bus	a constant impedance connected at the bus	constant real and reactive powers drawn from the bus	a voltage dependent impedance at the bus
Right Answer	C			

Question No. 72	The diagonal elements of a nodal admittance matrix are strengthened by adding			
Answer Options	A)	B)	C)	D)
	shunt inductors	shunt capacitors	loads	generators
Right Answer	A			

Question No. 73	The positive, negative and zero sequence impedance of a solidly grounded system under steady state condition always follow the relation			
Answer Options	A)	B)	C)	D)
	$Z_1 > Z_2 > Z_0$	$Z_1 < Z_2 < Z_0$	$Z_0 < Z_1 < Z_2$	None of these
Right Answer	A			

Question No. 74	A 6.6kV / 415V, 2 MVA Dyn ₁₁ transformer having 5% Impedance. What can be the maximum 3-phase fault level at 415V Bus?			
Answer Options	A)	B)	C)	D)
	95.23 kA	105.10 kA	55.65 kA	20 kA
Right Answer	C			

Question No. 75	A 6.6kV / 415 V, 2 MVA Dyn ₁₁ transformer having 5% Impedance feeding 415V Bus, having total Load 1500 KVA. A Single phase to ground fault occur in 415V bus. What will be the Earth Fault current in 6.6kV Bus?			
Answer Options	A)	B)	C)	D)
	5.9 kA	6.6 kA	3.5 kA	None of the option
Right Answer	D			

Question No. 76	A 6.6kV / 415V Transformer of rating 2 MVA, having percentage impedance as $0.4975 + j 4.9752$. What will be the Per Unit Impedance on 100 MVA base			
Answer Options	A)	B)	C)	D)
	$0.10 + j 3.48$	$0.248 + j 2.49$	$0.248 + j 5.48$	$0.10 + j 6.10$
Right Answer	B			

Question No. 77	A linear second order system with the transfer function: $G(s) = \frac{49}{s^2 + 8s + 49}$ is initially at rest and is subject of the system will exhibit a peak overshoot of			
Answer Options	A)	B)	C)	D)
	16%	9%	2%	zero
Right Answer	C			

Question No. 78	The feedback system with characteristic equation $s^4+20ks^3+5s^2+10s+15=0$			
Answer Options	A)	B)	C)	D)
	stable for all values of k	stable for positive value of k	stable for $a>k>7.0$	unstable for any value of k
Right Answer	D			

Question No. 79	If the system has multiple poles on the Y-axis, the system is			
Answer Options	A)	B)	C)	D)
	stable	unstable	marginally stable	conditionally stable
Right Answer	B			

Question No. 80	Servomechanism refer to			
Answer Options	A)	B)	C)	D)
	mechanism controlled by servomotors	system referring to control by position only	system referring to control position and velocity	system referring to control of position, velocity and acceleration
Right Answer	D			

Question No. 81	The open loop transfer function of a unity gain feedback control system is given by $G(s)=K/(s+1)(s+2)$ The gain margin of the system in dB is given by			
Answer Options	A)	B)	C)	D)
	zero	1	20	infinity
Right Answer	D			

Question No. 82	A lead compensator is a			
Answer Options	A)	B)	C)	D)
	low pass filter	high pass filter	band pass filter	band stop filter
Right Answer	B			

Question No. 83	Inductance is measured by			
Answer Options	A)	B)	C)	D)
	Wien's bridge	Schering's bridge	Maxwell's bridge	Owen's bridge
Right Answer	C			

Question No. 84	Ionic wind voltmeter is used for measuring			
Answer Options	A)	B)	C)	D)
	low voltage	Inter-winding capacitance	leakage inductance	high voltage
Right Answer	D			

Question No. 85	Wien's bridge is useful for measuring			
Answer Options	A)	B)	C)	D)
	very high frequency	low frequency	medium frequency	high frequency
Right Answer	D			

Question No. 86	A NULL type instrument as compared to a deflection type instrument has			
Answer Options	A)	B)	C)	D)
	A high accuracy	a lower sensitivity	a faster response	all of the above
Right Answer	A			

Question No. 87	The operation of megger is based on			
Answer Options	A)	B)	C)	D)
	dynamo-meter	electrostatic meter	moving coil meter	moving iron meter
Right Answer	C			

Question No. 88	A digital to analog converter with a full-scale output voltage of 3.5V has a resolution close to 14mV. Its bit size is			
Answer Options	A)	B)	C)	D)
	4	8	16	32
Right Answer	B			

Question No. 89	For half wave rectifier with capacitor input filter what will be the maximum voltage that will appear across the diode of an input AC of 10V?			
Answer Options	A)	B)	C)	D)
	10V	14V	28V	1.5V
Right Answer	C			

Question No. 90	The depletion region or space charge region or transition region in a semiconductor p-n junction diode has			
Answer Options	A)	B)	C)	D)
	electrons and holes	positives ions and electrons	negative ions and holes	no ions, electrons, holes
Right Answer	C			

Question No. 91	A three phase fully controlled converter is feeding power into a DC load at a constant current of 150A. The RMS current through each thyristor of the converter is			
Answer Options	A)	B)	C)	D)
	50 A	100 A	$150\sqrt{2}/\sqrt{3}$ A	$150/\sqrt{3}$ A
Right Answer	D			

Question No. 92	Which of the following devices cannot be used as controlled in stabilizer?			
Answer Options	A)	B)	C)	D)
	power transistor	DIAC	TRIAC	SCR
Right Answer	A			

Question No. 93	When the SCR conducts, the forward voltage drop			
Answer Options	A)	B)	C)	D)
	is 0.7V	is 1 to 1.5 V	Increases slightly with load current	Remains constant with load current
Right Answer	C			

Question No. 94	The turn-on time of a SCR with inductive load is 20 micro-second. The pulse train frequency is 2.5KHz with a mark/space ratio of 1/10, the SCR will be			
Answer Options	A)	B)	C)	D)
	turn-on	not turn-on	turn-on, if inductance is removed	turn-on, if pulse frequency is increased to two times
Right Answer	A			

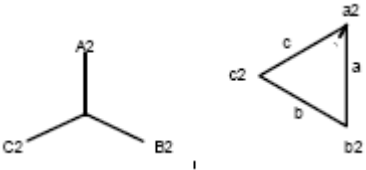
Question No. 95	In PMMC instruments damping is provided by			
Answer Options	A)	B)	C)	D)
	the coil itself	Separate pair of magnets	an aluminium frame on which the coil is wound	damping vane in an air tight chamber
Right Answer	C			

Question No. 96	A SINGLE-PHASE AC regulator fed from 50Hz system supplies a load having resistance and inductance of 4.0 ohm and 12.73 MH respectively, the control range of firing angle is			
Answer Options	A)	B)	C)	D)
	$0^\circ < \alpha < 180^\circ$	$45^\circ < \alpha < 180^\circ$	$90^\circ < \alpha < 180^\circ$	$0^\circ < \alpha < 45^\circ$
Right Answer	B			

Question No. 97	Under no load or low load, receiving end voltage of EHV AC transmission line is more than the sending end voltage. Which Option is correct for the above phenomena.			
Answer Options	A)	B)	C)	D)
	Skin Effect-Higher Frequency	Ferranti Effect-Series Capacitive Charging current	Ferranti Effect-Shunt Capacitive Charging currents	Proximity Effect-Magnetic Field for Parallel conductor
Right Answer	C			

Question No. 98	A substation Costs Rs 400/kVA and Capacitor installation cost Rs 80/kVA, what is the economical Power Factor.			
Answer Options	A) 0.9	B) 0.96	C) 0.8	D) 0.92
Right Answer	B			

Question No. 99	A 132kV / 33kV, Transformer with type of cooling ONAN, ONAF & OFAF having rated capacity 50 MVA. What will be its approximate ONAN rating?			
Answer Options	A) 25 MVA	B) 45 MVA	C) 40 MVA	D) 30 MVA
Right Answer	D			

Question No. 100	A 132kV / 6.6 kV, 20 MVA Transformer, having connection as shown in the adjacent diagram. What will be the Vector Group of the Transformer?			
				
Answer Options	A) Yd ₆	B) Yd ₁	C) yD ₁	D) Yd ₁₁
Right Answer	B			